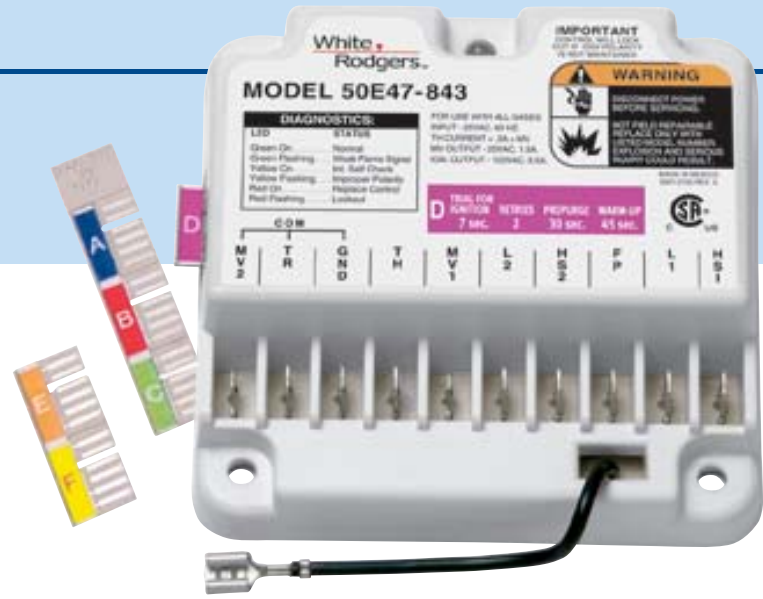


# Carbide Non-Integrated Hot Surface Ignition Module

# Universal

## 50E47-843

**Application:**  
Gas-Fired Non-Integrated  
Forced-Air Furnaces and Boilers



## Universal Module Replacement Kit

For Silicon Carbide, Non-Integrated HSI Systems

The 50E47-843 Universal Replacement Kit replaces ALL White-Rodgers 50E47-xxx modules and virtually all competitive silicon carbide, non-integrated modules. The Universal Kit has everything needed for a fast and accurate replacement, including a complete module cross-reference and **program keys** to quickly customize the module to the furnace application. Carry one Universal Kit...and carry the best!

### Kit Includes

- Program Keys
- Mounting Hardware
- Double-Sided Foam Back Tape (for ease of installation)
- Extensive Cross-Reference Guide
- Color-Coded Timing Label
- Pre-Printed Hanging Carton
- Instructions in English/Instrucciones en Espanol

### Features

- Program Keys for Easy Customization
- Tri-Color LED Indicator for Diagnostics
- Direct and Indirect Flame Sense

### Specifications

#### Dimensions

4.13"W x 4.13"H x 1.5"D

#### Electrical Rating

Input 18 to 30 VAC, 25 VAC nominal  
Max. Input Current @ 25 VAC; 200mA @ 25°C

#### Relay Load Settings

Valve Relay: 1.5 amps @ 25 VAC 60 Hz .6pf  
Ignitor Relay: 6.0 amps @ 120 VAC 60 Hz resistive

White  
Rodgers™

  
**EMERSON**  
Climate Technologies

# 50E47-843

## Carbide Non-Integrated Hot Surface Ignition Module

# Universal

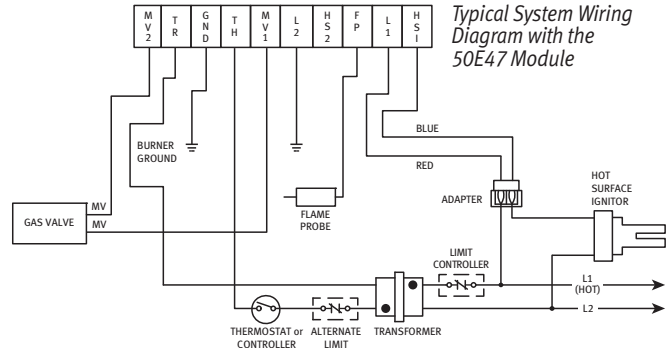
Application: Gas-Fired Non-Integrated Forced-Air Furnaces and Boilers

### Program Key Information

Six Program Keys are provided for different applications. Refer to the enclosed installation instructions for detailed Program Key selections. This table shows Timings and Retries for each key. After selecting and inserting the proper key, remove or dispose of the remaining keys.

50E47-843 – Program Key Timing Specifications Quick Reference

Key	Trial for Ignition	Retries	Prepurge	Interpurge (Ignitor Warmup)
A-Blue	4 sec.	0	30 sec.	45 sec.
B-Red	4 sec.	2	30 sec.	45 sec.
C-Green	7 sec.	0	30 sec.	45 sec.
D-Violet	7 sec.	2	30 sec.	45 sec.
E-Orange	4 sec.	2	30 sec.	17 sec.
F-Yellow	7 sec.	2	30 sec.	17 sec.



### 50E47-843 Universal Module Replaces These Silicon Carbide Non-Integrated Modules

025-25436-000	50D47-955	50G47-130	HS780-17NR-306A	S890D1006
02525436700	50D47-965	50G47-140	HS780-17NR-308A	S890G1003
025-25436-700	50D47-975	50G47-150	HS780-17NR-312A	S890G1011
1001346	50E47-1	50G47-160	HS780-17PL-106A	S890G1029
120-08027	50E47-10	50G47-40	HS780-17PL-108A	S890G1037
1300-4928	50E47-101	50G47-60	HS780-17PL-304A	S890H1002
1380694	50E47-110	780-780	HS780-17PL-306A	S890H1010
2076-0184	50E47-120	780-783	HS780-17PL-308A	S890H1028
350760	50E47-130	780-784	HS780-17PR-104A	S8910U
3591-1306	50E47-140	780-785	HS780-17PR-108A	S8910U1000
3XA74	50E47-150	780-786	HS780-17PR-306A	S89C1004
4CZ50	50E47-160	780-787	HS780-34NL-106A	S89C1012
4E954	50E47-161	780-788	HS780-34NL-108A	S89C1046
4E955	50E47-170	780-789	HS780-34NL-304A	S89C1079
4E956	50E47-20	780-790	HS780-34NL-306A	S89C1087
50D47-1	50E47-260	780-910	HS780-34NL-308A	S89C1103
50D47-101	50E47-30	832-002	HS780-34NL-312A	S89D1002
50D47-120	50E47-40	832-005	HS780-34NR-104A	S89G1005
50D47-140	50E47-50	995395	HS780-34NR-106A	S89G1013
50D47-150	50E47-560	99796380	HS780-34NR-304A	S89G1021
50D47-160	50E47-60	99905232	HS780-34NR-306A	S89G1047
50D47-161	50E47-70	C6411102	HS780-34NR-308A	S89H1003
50D47-170	50E47-841	CNT1316	HS780-34NR-312A	S89H1011
50D47-20	50E47-843	CNT1690	HS780-34PL-104A	S89H1029
50D47-260	50E47-851	CNT1691	HS780-34PL-106A	S89J1008
50D47-270	50E47-860	HS780-17NL-104A	HS780-34PL-108A	X13130193-04
50D47-40	50E47-861	HS780-17NL-106A	HS780-34PL-304A	X13130437-01
50D47-50	50E47-870	HS780-17NL-108A	HS780-34PL-306A	X13130437010
50D47-60	50E47-871	HS780-17NL-304A	HS780-34PL-308A	X13130437020
50D47-70	50F47-101	HS780-17NL-306A	HS780-34PR-106A	X13130437-03
50D47-905	50F47-140	HS780-17NL-308A	HS780-34PR-108A	X13130437030
50D47-915	50F47-160	HS780-17NR-104A	HS780-34PR-304A	X13130437040
50D47-925	50F47-40	HS780-17NR-106A	HS780-34PR-306A	X13130437060
50D47-935	50F47-60	HS780-17NR-108A	HS780-34PR-308A	X13130437080
50D47-945	50G47-1	HS780-17NR-304A	S890C1007	X324601

Installation Note: When installing, see the installation instructions for a complete timing specifications cross-reference guide.

Note: Additional information and updates for suggested replacements are located on our website in the Model Number Search/Cross Reference section. The above, concise White-Rodgers suggested replacement information is given on the express understanding and agreement from the recipient that it is given without warranty (express or implied) or liability of any kind. Responsibility for the selection and application of a control rest solely with the installer.